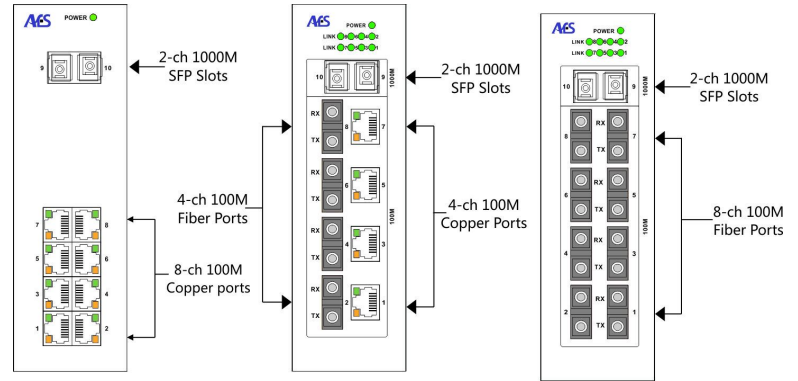


## 2 Gigabits Fiber port + 8-ch 100M Port Fiber Switches

### PRODUCT PHOTO



### CONNECTION DIAGRAM

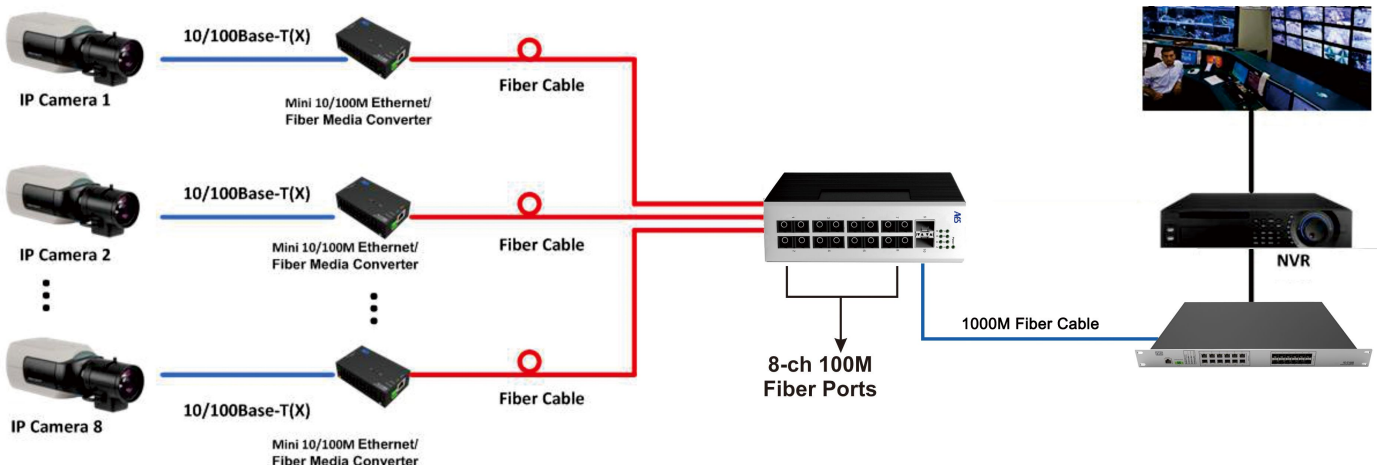


### DESCRIPTION

The ALBA FIBER SYSTEMS Series AFS6510 are Ethernet fiber switches designed to transmit and receive 8 port 10/100Mbps data over two user selectable SFP options. Available in commercial temperature grade, units feature full/half duplex mode and auto-negotiation to 10Mbps or 100Mbps Ethernet rate without adjustments. The SFP ports operate at a 1000Mbps rate, the other ports work at a 100Mbps rate. Plug-and-play design ensures ease of installation and no user electrical or optical adjustments required. Features include low power consumption, LED indicators for monitoring equipment link and performance operating status. With 12VDC input voltage on DIN-rail standalone. The Series AFS6510 are outstanding products for transmission of 8 port 10/100Mbps Ethernet signals.

### FEATURES

- 8 x 10/100Mbps Copper or Fiber Ports or 4 x 10/100Mbps Copper and 4 x 100Mbps Fiber Ports
- 2 x 1000M SFP Ports
- 10/100Mbps Copper Port or Fiber Port Supports Auto-Negotiation for 10/100Mbps, Full/Half Duplex Mode
- Fiber Port Supports 1000Mbps Full Duplex Data
- Automatic MDI/MDI-X Crossover Cables
- Transparent to Data Encoding/Compatible with Major Data Protocols; IEEE 802.3 Compliant
- No Electrical or Optical User Adjustments
- Performance and Link Status Indicator LEDs
- Voltage Transient Protection on Power/Signals
- Designed with Lowest Power Consumption
- 12VDC Input Voltage
- CE, FCC, ROHS compliant



## 2 Gigabits Fiber port + 8-ch 100M Port Fiber Switches

### DATA

Data Interface	8 x 10/100Base-TX/FX; 2 x 1000Base-FX
Data Rate	10/100/1000 Mbps (1000Base-FX) ; 10/100Mbps (100Base- TX/FX ports)

### SWITCH PARAMETERS

Switching Delay	<5 $\mu$ s
Packet Buffer	1Mb
Processing Type	Store and Forward

### STATUS LEDS

Power	Power
Port Interface	Link/ACT, Speed

### CONNECTORS

Optical	SC or SFP
Power	American plug

### OPTICAL PARAMETERS

Fiber Type	Single-mode or Multimode
Wavelength Multimode	1310nm/1550nm
Wavelength Single-mode	1310nm/1550nm

### ENVIRONMENTAL

Operating Temp.	14°F to 158°F (-10°C to 70°C)
Storage Temp.	-13°F to 212°F (-25°C to 100°C)
Relative Humidity	0% to 95% (non-condensing)
MTBF	>100,000 hours

### ELECTRICAL/MECHANICAL

Input Power, Standalone Units	12VDC
Power Consumption	6W @12V
Overload Circuitry	Support
Housing	Aluminum, Fan-less
Dimensions (W×H×D)	4.92 x 6.93 x 2.16in (125 x176 x 54.8mm)
Weight	2.3lbs (1065g)
Installation	Standalone / Rack mount

### REGULATORY APPROVALS

EMI	FCC Part 15, EN55022 Class A
EMS	IEC61000 4.2, 4.3, 4.4, 4.5, 4.6, 4.8, 4.9, 4.10 4.11
Compliance	ROHS

## 2 Gigabits Fiber port + 8-ch 100M Port Fiber Switches

### ORDER INFORMATION

MODEL	DESCRIPTION	COPPER PORT	FIBER PORT	GIGABIT FIBER PORT	FIBER TYPE	DISTANCE
<b>AFS6510-D-2G-8E-MM-2SC</b>	8 x 10/100BaseT(X) Ports, 2 x 1000M SFP Ports	8	-	2	MM	1.25 miles (2Km)
<b>AFS6510-D-2G-8E-SM-2SC</b>	8 x 10/100BaseT(X) Ports, 2 x 1000M SFP Ports	8	-	2	SM	12 miles (20 Km)
<b>AFS6510-D-2G-8E-SM-1ASC</b>	8 x 10/100BaseT(X) Ports, 2 x 1000M SFP Ports	8	-	2	SM	12 miles (20 Km)
<b>AFS6510-D-2G-8E-SM-1BSC</b>	8 x 10/100BaseT(X) Ports, 2 x 1000M SFP Ports	8	-	2	SM	12 miles (20 Km)
<b>AFS6510-D-2G-8F-MM-2SC</b>	8 x 100BaseFX Ports, 2 x 1000M SFP Ports	-	8	2	MM	1.25 miles (2Km)
<b>AFS6510-D-2G-8F-SM-2SC</b>	8 x 100BaseFX Ports, 2 x 1000M SFP Ports	-	8	2	SM	12 miles (20 Km)
<b>AFS6510-D-2G-8F-SM-1ASC</b>	8 x 100BaseFX Ports, 2 x 1000M SFP Ports	-	8	2	SM	12 miles (20 Km)
<b>AFS6510-D-2G-8F-SM-1BSC</b>	8 x 100BaseFX Ports, 2 x 1000M SFP Ports	-	8	2	SM	12 miles (20 Km)
<b>AFS6510-D-2G-4F-4E-MM-2SC</b>	4 x 10/100BaseT(X) Ports, 4 x 100BaseFX Ports, 2 x 1000M SFP Ports	4	4	2	MM	1.25 miles (2Km)
<b>AFS6510-D-2G-4F-4E-SM-2SC</b>	4 x 10/100BaseT(X) Ports, 4 x 100BaseFX Ports, 2 x 1000M SFP Ports	4	4	2	SM	12 miles (20 Km)
<b>AFS6510-D-2G-4F-4E-SM-1ASC</b>	4 x 10/100BaseT(X) Ports, 4 x 100BaseFX Ports, 2 x 1000M SFP Ports	4	4	2	SM	12 miles (20 Km)
<b>AFS6510-D-2G-4F-4E-SM-1BSC</b>	4 x 10/100BaseT(X) Ports, 4 x 100BaseFX Ports, 2 x 1000M SFP Ports	4	4	2	SM	12 miles (20 Km)

**AFS6510 D=DINRAIL; G=Gigabit E=Ethernet (Copper Port), F=Fiber (Fiber Port); SM=Single-mode (20Km), MM=Multimode (2Km) 1=Simplex Fiber, 2=Duplex Fiber; 1A=1310/1550nm, 1B=1550/1310nm**