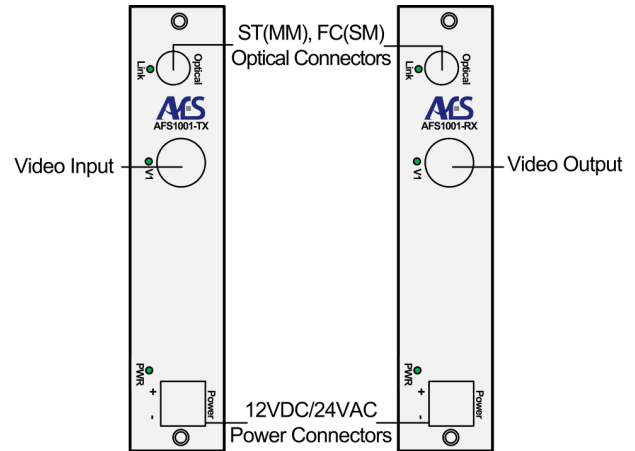


1-Ch. 8 BIT DIGITAL VIDEO ON FIBER

PRODUCT PHOTO



CONNECTION DIAGRAM

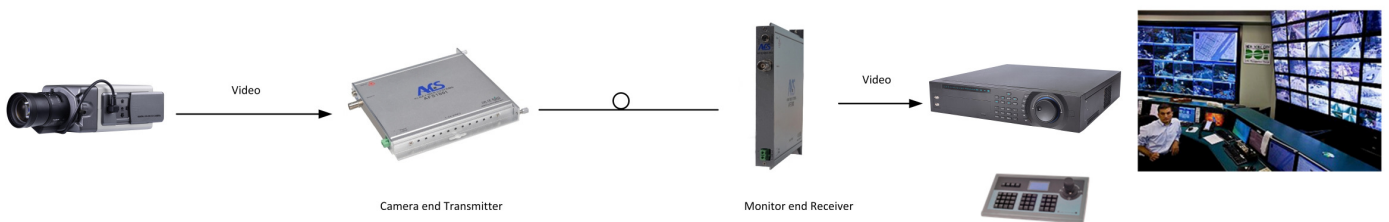


DESCRIPTION

The ALBA FIBER SYSTEMS Series AFS1001 support the transmission of broadcast quality 8-bit digital video on a single fiber. Multimode or singlemode version units are universally compatible with NTSC, PAL and SECAM formats. Plug-and-play design ensures ease of installation and no user electrical or optical adjustments are required. Features include low power consumption, LED indicators for monitoring equipment link and performance operating status and auto resettable voltage transient fuses. Standalone units are configured to be interchangeable with rackmount cards. With 12VDC/24VAC input voltages on standalone, industry highest density 19 card slots and one (1) power supply or 17 card slots and dual (2) redundant supplies per 19"L x 4U Rackmount Chassis, the Series AFS1001 are outstanding products for transmission of Video signals.

FEATURES

- * NTSC, PAL, SECAM Fiber Optic Video System
- * 8-bit uncompressed Digital Video Encoding complies with RS-250C Specifications
- * Meets EIA RS-170 and RS-343 Standards
- * Supports 1 Composite Video Signal
- * No Electrical or Optical User Adjustments
- * Performance and Link Status Indicator LEDs
- * Integrated Optics / WDM - greater reliability
- * Voltage Transient Protection on Power/Signals
- * Distances up to 30mi. (48Km) - no repeaters
- * ST (MM), FC (SM) Optical Connectors
- * Auto Resettable Fuses on Power Lines
- * Hot-Swappable Rackmount Cards
- * Interchangeable Standalone w/Rackmount
- * Designed with Lowest Power Consumption
- * Highest Density - 19 Slots and Power Supply
- * 12VDC/24VAC Input Voltage (Standalone)
- * 90-130VAC or 180-264VAC (19" Chassis)
- * Compliance with CE, FCC, ROHS



1-Ch. 8 BIT DIGITAL VIDEO ON FIBER

VIDEO

# of Channels	1-ch Uni-directional
Format	NTSC, PAL, or SECAM
Video Input/Output	1V p-p (75 ohm); max 1.5V p-p
Bandwidth	5 Hz - 10 MHz
Video Resolution	700 TV lines
Signal-to-Noise Ratio	>65dB Weighed
Differential Phase	<2°
Differential Gain	<2%
Tilt	<0.5%
Optic Dynamic Range	16dB

CONNECTORS

Optical	ST (MM), FC (SM)
Power	Terminal Block
Video	BNC (Gold Plated Center-Pin)

ELECTRICAL & MECHANICAL

Input Power, Standalone Units	12VDC/24VAC
Input Power, Rack Units	110V/220V, 50/60Hz, selectable power cord supplied
Power Consumption	<4W
# of Rack Slots	1
Current Protection	Auto Resettable Solid - State Current Limiters
Dimensions (L x W x H) 1 slot	7.36 x 6.85 x 0.8in (187 x174 x 20mm)
Weight 1 slot	21oz /600g

OPTICAL PARAMETERS

Fiber Type	Singlemode or Multimode
Wavelength (MM)	1310nm
Wavelengths (SM)	1310nm

ENVIRONMENTAL

MTBF	>100,000 hours
Operating Temp.	14°F to 158°F; -10°C to 70°C
Storage Temp.	-85°F to 212°F; -65°C to 100°C
Relative Humidity	0% to 95% (non-condensing)
Compliance	CE, FCC, ROHS

ORDER INFORMATION

MODEL	DESCRIPTION	# FIBERS	FIBER TYPE	OPTICAL BUDGET	MAXIMUM DISTANCE
AFS1001-1STX Standalone	1-ch Video Transmitter on Fiber	1	Multimode	16 dB	1.25 miles (2 Km)
AFS1001-1SRX Standalone	1-ch Video Receiver on Fiber	1	Multimode	16 dB	1.25 miles (2 Km)
AFS1001-2CTX Rack Card	1-ch Video Transmitter on Fiber	1	Singlemode	16 dB	22 miles (32 Km)
AFS1001-2CRX Rack Card	1-ch Video Receiver on Fiber	1	Singlemode	16 dB	22 miles (32 Km)

AFS1001=1V; **1**=MM, **2**=SM; **S**=Standalone, **C**=Card (rackmount); SM available with 24dB - 30 miles/48Km